

STOPDIGGING!®

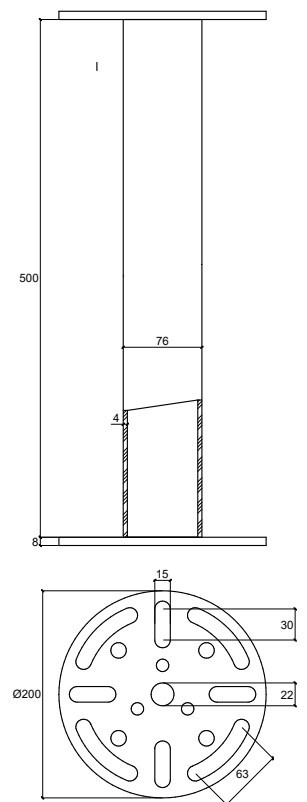
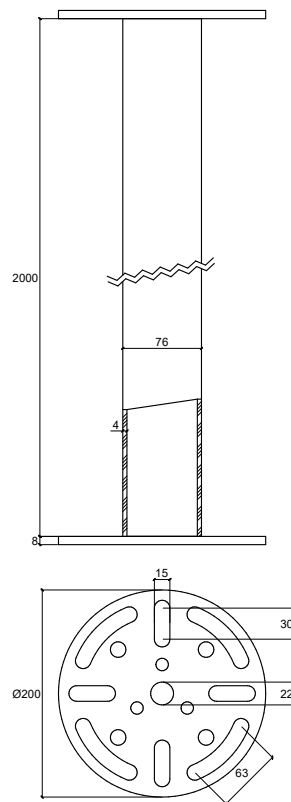
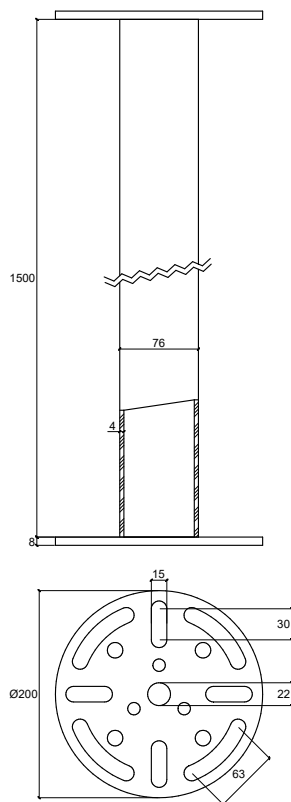
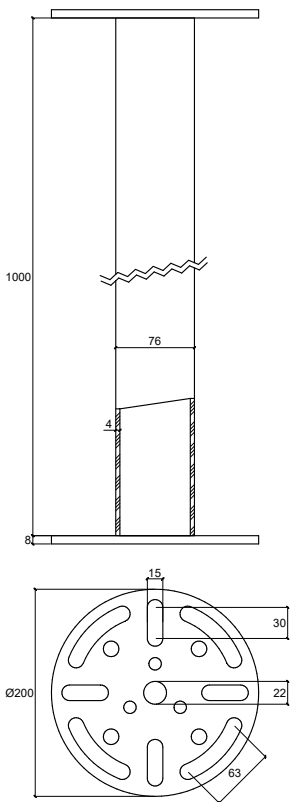


CERTIFICATE

Material	ISO 630 FE 360A
Product	EN 1090
Galvanization	EN 1461
Manufacturing process	ISO 9001:2015
Installation process	ISO 9001:2015
*Expected min. service life	100 years

SGC EL APPLICATION

Application for installations above ground level.



SGC EL 76X1000 Art 5021

1000mm long

SGC EL 76X1500 Art 5022

1500mm long

SGC EL 76X2000 Art 5023

2000mm long

SGC EL 76X500 Art 5024

500mm long